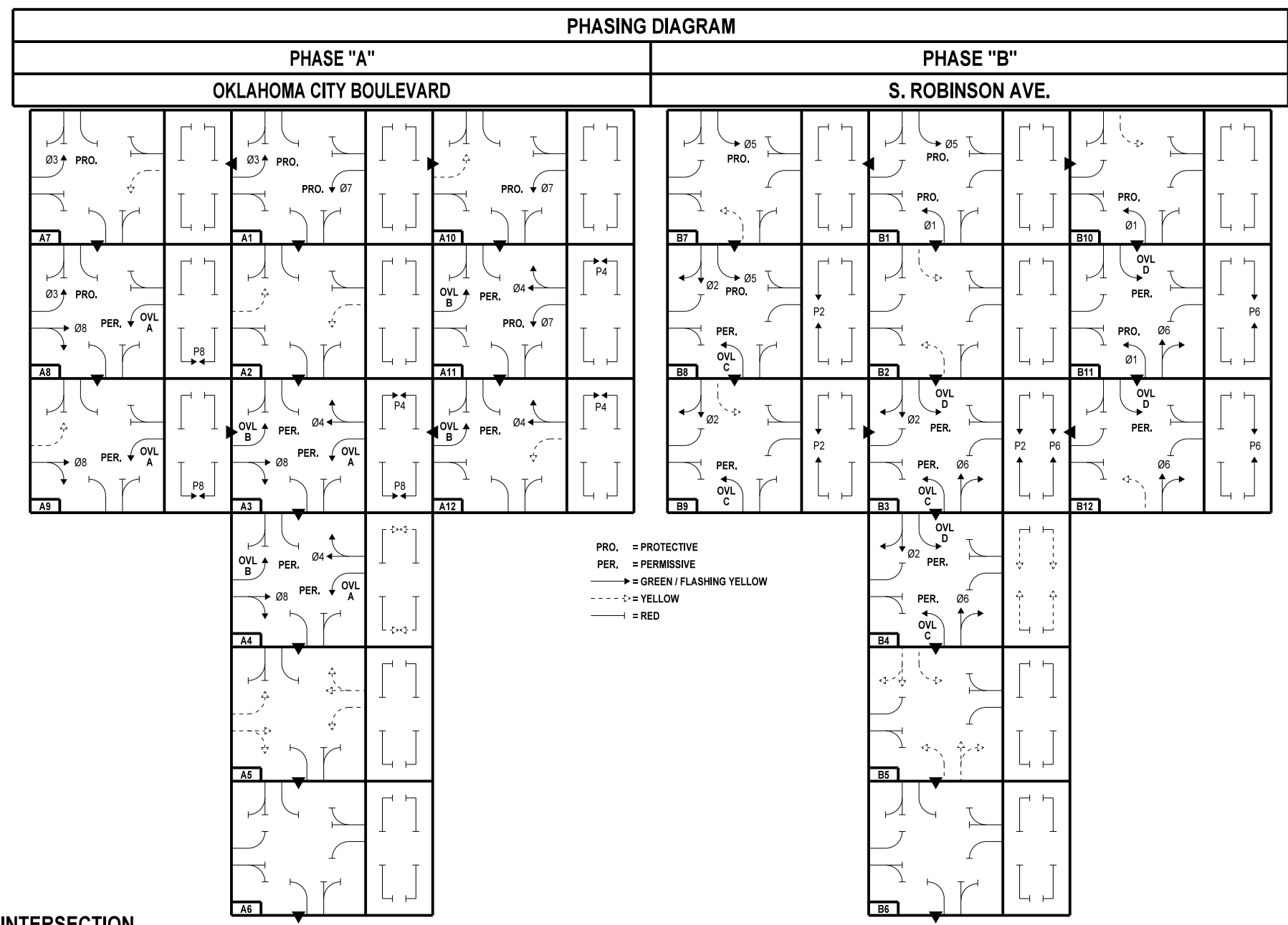
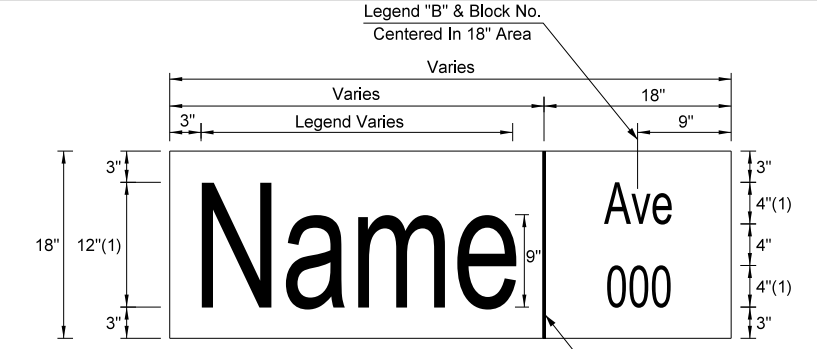
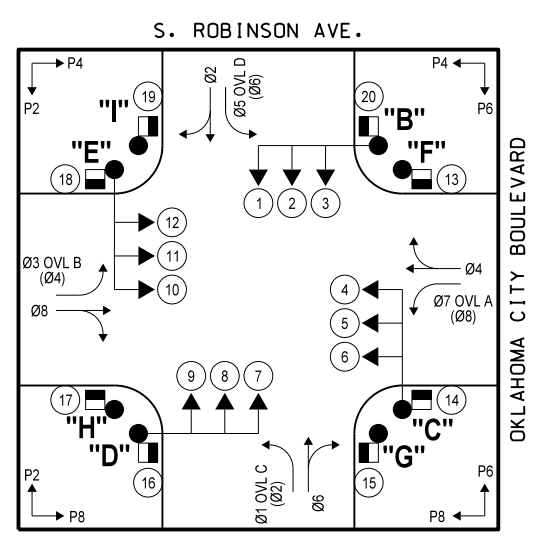


REVISIONS		
NO.	DESCRIPTION	DATE



DIRECTION	BLOCK NO.	PHASE											
		Ø1 OVL C	Ø6	Ø3 OVL B	Ø8	Ø5 OVL D	Ø2	Ø7 OVL A	Ø4	P6	P8	P2	P4
		SIGNAL HEAD NO.											
		1	2,3	4	5,6	7	8,9	10	11,12	13,14	15,16	17,18	19,20
Ø3, Ø7 ROW	A1	←R	R	←G	R	←R	R	←G	R	DW	DW	DW	DW
Ø3, Ø7 CL	A2	←R	R	←Y	R	←R	R	←Y	R	DW	DW	DW	DW
Ø4, Ø8, OVL A, OVL B, P4, P8 ROW	A3	←R	R	←F	G	←R	R	←F	G	DW	W	DW	W
Ø4, Ø8, OVL A, OVL B ROW & P4, P8 CL	A4	←R	R	←F	G	←R	R	←F	G	DW	FDW	DW	FDW
Ø4, Ø8, OVL A, OVL B CL	A5	←R	R	←Y	Y	←R	R	←Y	Y	DW	DW	DW	DW
ALL RED	A6	←R	R	←R	R	←R	R	←R	R	DW	DW	DW	DW
Ø3 ROW & Ø7 CL	A7	←R	R	←G	R	←R	R	←Y	R	DW	DW	DW	DW
Ø3, Ø8, OVL A, P8 ROW	A8	←R	R	←G	G	←R	R	←F	R	DW	W	DW	DW
Ø8, OVL A, P8 ROW & Ø3 CL	A9	←R	R	←Y	G	←R	R	←F	R	DW	W	DW	DW
Ø7 ROW & Ø3 CL	A10	←R	R	←Y	R	←R	R	←G	R	DW	DW	DW	DW
Ø4, Ø7, OVL B, P4 ROW	A11	←R	R	←F	R	←R	R	←G	G	DW	DW	DW	W
Ø4, OVL B, P4 ROW & Ø7 CL	A12	←R	R	←F	R	←R	R	←Y	G	DW	DW	DW	W
Ø5, Ø1 ROW	B1	←G	R	←R	R	←G	R	←R	R	DW	DW	DW	DW
Ø5, Ø1 CL	B2	←Y	R	←R	R	←Y	R	←R	R	DW	DW	DW	DW
Ø6, Ø2, OVL C, OVL D, P6, P2 ROW	B3	←F	G	←R	R	←F	G	←R	R	W	DW	W	DW
Ø6, Ø2, OVL C, OVL D ROW & P6, P2 CL	B4	←F	G	←R	R	←F	G	←R	R	FDW	DW	FDW	DW
Ø6, Ø2, OVL C, OVL D CL	B5	←Y	Y	←R	R	←Y	Y	←R	R	DW	DW	DW	DW
ALL RED	B6	←R	R	←R	R	←R	R	←R	R	DW	DW	DW	DW
Ø5 ROW & Ø1 CL	B7	←Y	R	←R	R	←G	R	←R	R	DW	DW	DW	DW
Ø5, Ø2, OVL C, P2 ROW	B8	←F	R	←R	R	←G	G	←R	R	DW	DW	W	DW
Ø2, OVL C, P2 ROW & Ø5 CL	B9	←F	R	←R	R	←Y	G	←R	R	DW	DW	W	DW
Ø1 ROW & Ø5 CL	B10	←G	R	←R	R	←Y	R	←R	R	DW	DW	DW	DW
Ø6, Ø1, OVL D, P6 ROW	B11	←G	G	←R	R	←F	R	←R	R	W	DW	DW	DW
Ø6, OVL D, P6 ROW & Ø1 CL	B12	←Y	G	←R	R	←F	R	←R	R	W	DW	DW	DW
FLASHING OPERATION	-	←FR	FR	←FR	FR	←FR	FR	←FR	FR	-	-	-	-

INTERSECTION PHASING & SIGNAL HEAD NO.'S

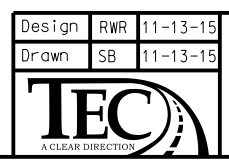
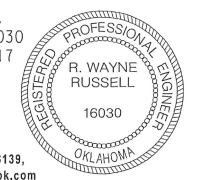


- (1) LEGEND: Black (Non-ReflectORIZED), ClearviewHwy-1-B, Half Spacing
 BACKGROUND: White (ReflectORIZED)

SUMMARY OF MAST ARM MOUNTED SIGNS							
LEGEND "A"	LEGEND "B"	POLE LOCATION	NO. OF SIGNS	SIGN LENGTH (IN.)	SIGN HEIGHT (IN.)	SIGN AREA (SQ. FT.)	TOTAL AREA (SQ. FT.)
Oklahoma City	Bld	B,D	2	120	18	15.00	30.00
S Robinson	Ave	C,E	2	96	18	12.00	24.00
R10-12M	-	B,C,D,E	4	30	36	7.50	30.00
						TOTAL	84.00

NOTE: THE CONTRACTOR SHALL CONTACT THE CITY OF OKLAHOMA CITY TO OBTAIN THE BLOCK NO.

R. Wayne Russell
 R. WAYNE RUSSELL, P.E. # 16030
 C.A. # 1160, RENEWAL 06-30-17
 DATE: 11-13-15
 Traffic Engineering Consultants, Inc.
 6000 S. Western, Suite 300 - Oklahoma City, OK 73139,
 Ph: 405-720-7721, Fax: 405-720-9848, Web: www.tecok.com



SIGNAL DETAIL PLAN
S. ROBINSON AVE. & OKLAHOMA CITY BOULEVARD
 State Job No. 174281(89) Sheet No. T8